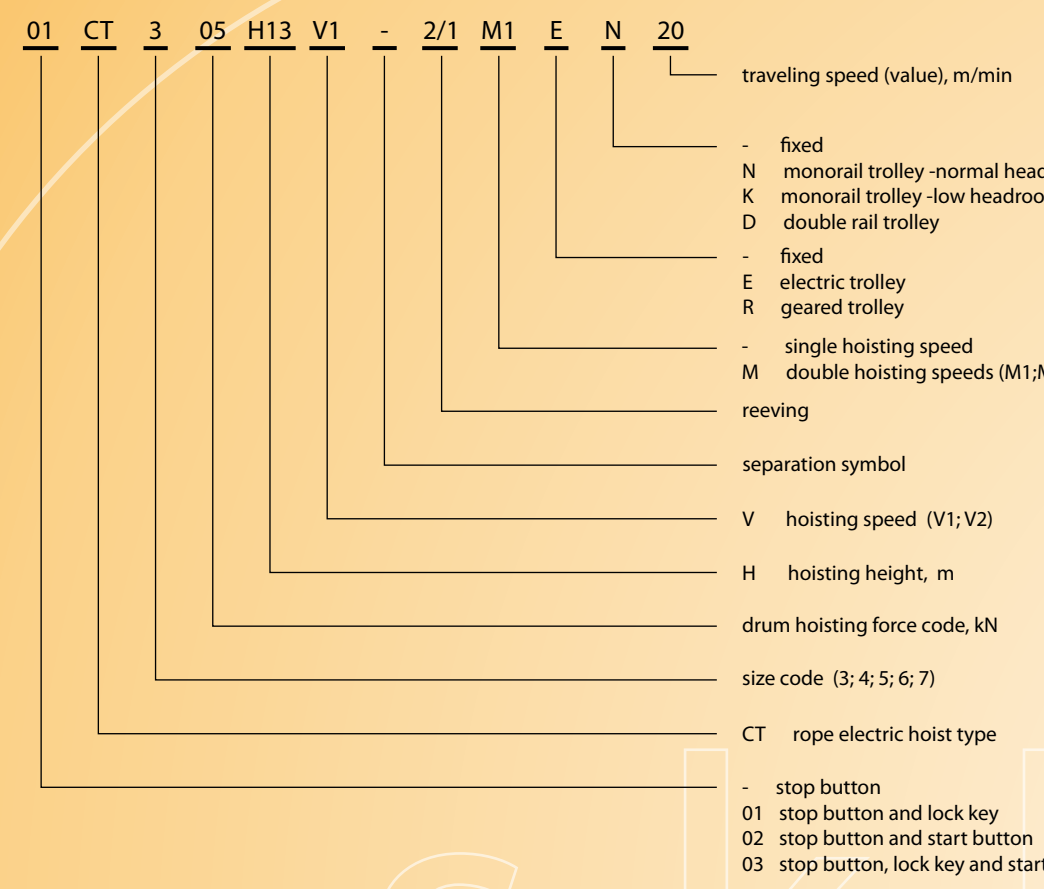


ROPE ELECTRIC HOISTS

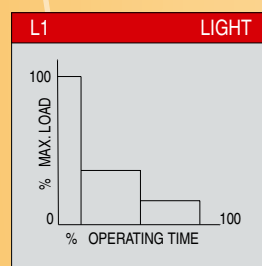


Designation

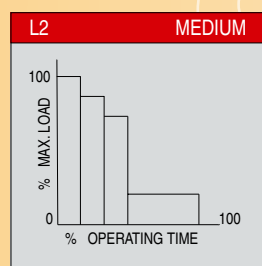


Capacity	Type	Group		Hoisting weight					Hoisting speed				Rope diameter
		FEM	ISO	H1	H2	H3	H4	H5	Basic		Micro		
									m				
1000	CT305-2/1	2m	M5	6	10	13	20	27	8	12	2	1.4	7
1600	CT304-4/1	3m	M6	-	-	6.5	10	13.5	4	6	1	0.7	7
	CT408-2/1			5.5	9	12	20	26	8	12	2	1.4	10
2000	CT305-4/1	2m	M5	-	-	6.5	10	13.5	4	6	1	0.7	7
	CT410-2/1			5.5	9	12	20	26	8	12	2	1.4	10
2500	CT512-2/1	3m	M6	5.5	9	12	18	25	8	12	2	1.4	12
3200	CT408-4/1	3m		-	-	6	10	13	4	6	1	0.7	10
	CT516-2/1	2m	M5	5.5	9	12	18	25	8	12	2	1.4	12
4000	CT410-4/1	2m		-	-	6	10	13	4	6	1	0.7	10
	CT620-2/1	3m	M6	8	11	17	23	30	8	12	2	1.4	15
5000	CT512-4/1	3m		-	-	6	9	12.5	4	6	1	0.7	12
	CT625-2/1	2m	M5	8	11	17	23	30	8	12	2	1.4	15
6300	CT516-4/1	2m		-	-	6	9	12.5	4	6	1	0.7	12
	CT732-2/1	2m	M5	8	12	17	23	30	8	-	2	-	18
8000	CT620-4/1	3m		M6	-	-	5.5	8.5	11.5	4	6	1	0.7
	CT740-2/1	1Am	8		12	17	23	30	8	-	2	-	18
10000	CT625-4/1	2m	M5	-	-	5.5	8.5	11.5	4	6	1	0.7	15
12500	CT732-4/1	2m	M5	-	-	6	8.5	11.5	4	-	1	0.7	18
16000	CT740-4/1	1Am	M4	-	-	6	8.5	11.5	4	-	1	0.7	18

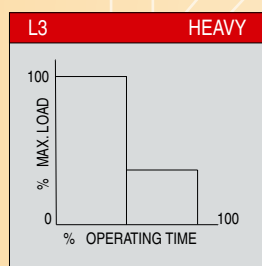
Type	Basic speed	Electric motors for hoisting (voltage, current)					
		Single speed		Double speeds			
		V.../M1		V.../M2		V.../M2	
		kW	A	kW	A	kW	A
CT305	V1	1.5	5.8	1.5/0.33	5.0/3.7	1.5/0.3	5.1/5.5
	V2	2.3	6	2.2/0.33	6.2/3.7	2.2/0.3	7/5.5
CT410	V1	3	11	3/0.7	7.5/6	3/0.5	8.5/10
	V2	4.5	12	4.5/0.7	9.5/6	4.5/0.5	11/10
CT516	V1	4.5	12.3	4.8/1	12/11	4.8/0.8	12/15
	V2	7.5	17	7.5/1	15/11	7.5/0.8	15/15
CT625	V1	8	24.5	8/1.7	18/15	8/1.5	19/30
	V2	12	28	12.5/1.7	23/15	12.5/1.5	28/30
CT740	V1	12.5	36	(13/3)*	(30/40)*	-	-
CD [%]		40		50/25;*(40/10)		40/10	
SF [h ⁻¹]		240		300;*(240)		240	



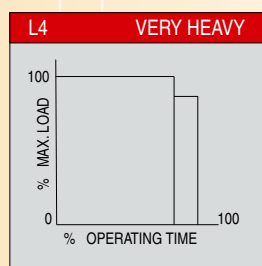
The mechanisms are usually submitted to very small loadings and only in extreme cases to maximum loadings



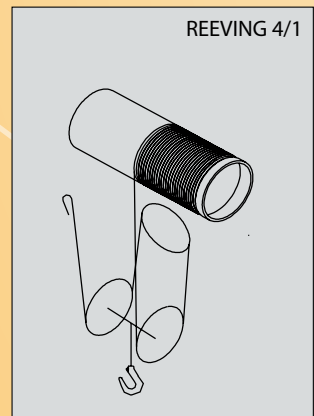
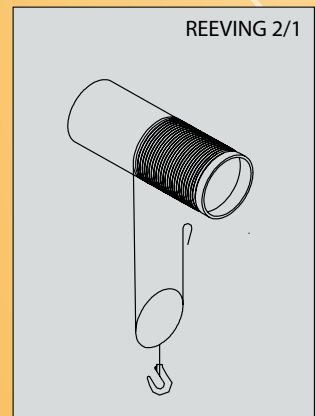
The mechanisms are usually submitted to small loadings, but more frequently to maximum loadings



The mechanisms are usually submitted to medium loadings, but frequently repeated maximum loadings



The mechanisms are usually submitted to the maximum or near the maximum loadings



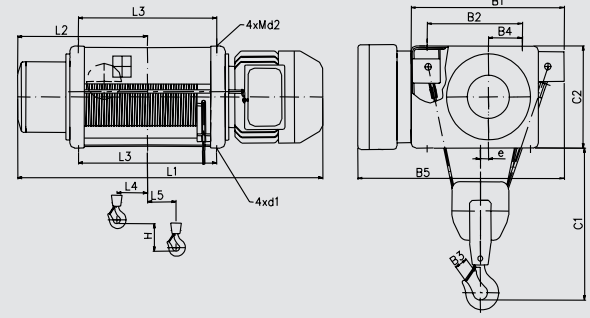
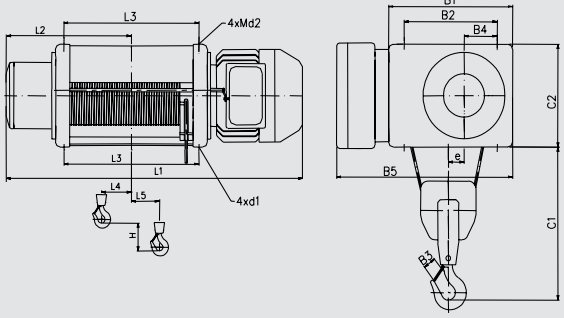
LOAD SPECTRUM		TOTAL OPERATING TIME (h)		
L1	LIGHT	6300	12500	25000
L2	MEDIUM	3200	6300	12500
L3	HEAVY	1600	3200	6300
L4	VERY HEAVY	800	1600	3200
GROUP	FEM 9.511	1Am	2m	3m
	ISO 4301	M4	M5	M6
CAPACITY [kg]		TYPE CT		
REEVING 2/1	REEVING 4/1	-	-	304
1000	2000	-	305	-
1600	3200	-	-	408
2000	4000	-	410	-
2500	5000	-	-	512
3200	6300	-	516	-
4000	8000	-	-	620
5000	10000	-	625	-
6300	12500	-	732	-
8000	16000	740	-	-

Type	Speed	Electric motors for travelling (voltage, current)			
		Hoisting heights: H1, H2, H3		Hoisting heights: H4, H5	
		m/min		m/min	
		kW	A	kW	A
CT305-2/1	8; 10; 12; 15; 20	0.12	0.84	2 x 0.12	2 x 0.84
	32	0.18	1.2	2 x 0.18	2 x 1.2
CT305-4/1	8; 10; 12; 15; 20	0.18/0.06	1.2/1.4	2 x 0.18/0.06	2 x 1.2/1.4
	32	0.25	1.2	2 x 0.12	2 x 0.84
CT410-2/1	8; 10; 12; 15; 20	0.25	1.2	2 x 0.18	2 x 1.2
	32	0.37	1.5	2 x 0.37	2 x 1.5
CT516-2/1	12/4; 15/5; 20/6.5; 32/10	0.37/0.11	1.4/1.7	2 x 0.37/0.11	2 x 1.4/1.7
	32	0.37	1.5	2 x 0.37	2 x 1.5
CT625-4/1	8; 10; 12	0.25	1.2	2 x 0.25	2 x 1.2
	15	0.37	1.5	2 x 0.25	2 x 1.2
CT740-2/1	20	0.37	1.8	2 x 0.25	2 x 1.2
	32	0.55	2.1	2 x 0.37	2 x 1.5
CT732-4/1	12/4; 15/5; 20/6.5	0.37/0.11	1.4/1.7	2 x 0.37/0.11	2 x 1.4/1.7
	32/10	0.55/0.18	2.1/2.5	2 x 0.37/0.11	2 x 1.4/1.7
CT625-4/1	8; 10; 12	2 x 0.25 [kW]; 2 x 1.2 [A]			
	15	2 x 0.37 [kW]; 2 x 1.5 [A]			
CT740-2/1	20	2 x 0.37 [kW]; 2 x 1.7 [A]			
	32	2 x 0.55 [kW]; 2 x 2.1 [A]			
CT732-4/1	12/4; 15/5; 20/6.5	2 x 0.37/0.11 [kW]; 2 x 1.4/1.7 [A]			
	32/10	2 x 0.55/0.18 [kW]; 2 x 2.1/2.5 [A]			

STATIONARY ROPE ELECTRIC HOISTS

REEVING 2/1

REEVING 4/1



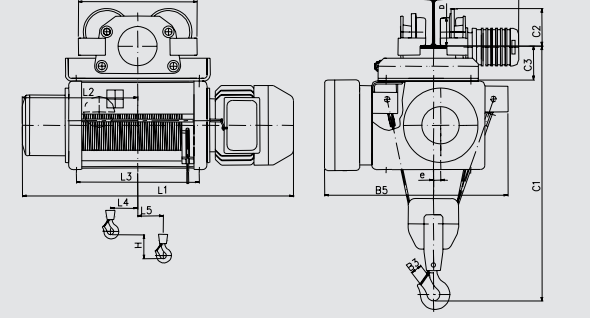
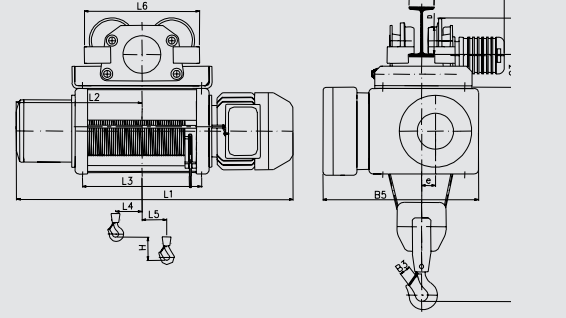
Type		CT305	CT410	CT516	CT625	CT740	
Overall dimensions	mm	B1	398	434	512	640	
		B2	295	325	390	475	
		B3	34	40	45	50	56
		B4	105	128	157	187	
		B5	580	650	800	930	
		C1	450	550	620	710	840
		C2	321	366	432	530	
		e	50	35	38	55	
		d1	φ15	φ17	φ21	φ25	
For hoisting height: H1	mm	L1	710	815	856		
		L1*	750	885	940		
		L2	310	365	377		
		L3	224	231	261		
		L4	45	52	60		
kg	Netweight	115	174	213			
		115	925	976	1015	1125	
For hoisting height: H2	mm	L1	815	925	1060	1105	1160
		L1*	855	995	1060	1105	1160
		L2	362	420	437	445	500
		L3	329	341	381	348	393
		L4	95	107	120	104	82
kg	Netweight	120	190	257	410	600	
		120	190	257	410	600	
For hoisting height: H3	mm	L1	915	1025	1086	1120	1285
		L1*	955	1095	1170	1210	1320
		L2	412	470	492	505	580
		L3	429	441	491	453	553
		L4	95	107	125	106	162
kg	Netweight	129	203	279	420	676	
		129	203	279	420	676	
For hoisting height: H4	mm	L1	1115	1225	1306	1330	1445
		L1*	1155	1295	1390	1420	1480
		L2	512	570	602	610	660
		L3	629	641	711	663	713
		L4	195	207	235	211	192
kg	Netweight	142	236	300	435	723	
		142	236	300	435	723	
For hoisting height: H5	mm	L1	1315	1425	1526	1540	1660
		L1*	1355	1495	1610	1630	1695
		L2	612	670	712	715	770
		L3	829	841	931	873	928
		L4	295	307	345	316	300
kg	Netweight	150	260	320	485	786	
		150	260	320	485	786	

Note: L1* for electric hoist with double-speed electric motor

ROPE ELECTRIC HOISTS WITH A MONORAIL TROLLEY

REEVING 2/1

REEVING 4/1



Type		CT 305	CT 410	CT 516	CT 625	CT 740	
Overall dimensions	mm	B	90-130		130+150		
		B3	34	40	45	50	56
		B5	580	650	800	930	
		B6	336	405	410		
		C2	142	200	232		
		e	50	35	38	55	
		D	φ120	φ175	φ210		
		R	1500	2500	3500		
		d1	φ15	φ17	φ21	φ25	
For hoisting height: H1	mm	L1	915	1025	1086	1120	1285
		L1*	955	1095	1170	1210	1320
		L2	412	470	492	505	580
		L3	429	441	491	453	553
		L4	90	65	67	29	42
kg	Netweight	139	216	300	454	735	
		139	216	300	454	735	
For hoisting height: H2	mm	L1	1115	1225	1306	1330	1445
		L1*	1155	1295	1390	1420	1480
		L2	512	570	602	610	660
		L3	629	641	711	663	713
		L4	190	165	177	134	102
kg	Netweight	152	249	322	472	782	
		152	249	322	472	782	
For hoisting height: H3	mm	L1	1315	1425	1526	1540	1660
		L1*	1355	1495	1610	1630	1695
		L2	612	670	712	715	770
		L3	829	841	931	873	928
		L4	290	265	287	239	210
kg	Netweight	160	273	342	520	845	
		160	273	342	520	845	
Overall dimensions	mm	B	90-130		130+150		
		B3	34	40	45	50	56
		B5	580	650	800	930	
		B6	336	405	410		
		C2	142	200	232		
		e	50	35	38	55	
		D	φ120	φ175	φ210		
		R	1500	2500	3500		
		d1	φ15	φ17	φ21	φ25	
For hoisting height: H1	mm	L1	915	1025	1086	1120	1285
		L1*	955	1095	1170	1210	1320
		L2	412	470	492	505	580
		L3	429	441	491	453	553
		L4	90	65	67	29	42
kg	Netweight	155	306	343			
		155	306	343			
For hoisting height: H2	mm	L1	1115	1225	1306	1330	1445
		L1*	1155	1295	1390	1420	1480
		L2	512	570	602	610	660
		L3	629	641	711	663	713
		L4	190	165	177	134	102
kg	Netweight	160	320	383	566	948	
		160	320	383	566	948	
For hoisting height: H3	mm	L1	1315	1425	1526	1540	1660
		L1*	1355	1495	1610	1630	1695
		L2	612	670	712	715	770
		L3	829	841	931	873	928
		L4	290	265	287	239	210
kg	Netweight	169	329	405	594	1024	
		169	329	405	594	1024	
Overall dimensions	mm	B	90-130		130+150		
		B3	34	40	45	50	56
		B5	580	650	800	930	
		B6	336	405	410		
		C2	142	200	232		
		e	50	35	38	55	
		D	φ120	φ175	φ210		
		R	1500	2500	3500		
		d1	φ15	φ17	φ21	φ25	
For hoisting height: H1	mm	L1	915	1025	1086	1120	1285
		L1*	955	1095	1170	1210	1320
		L2	412	470	492	505	580
		L3	429	441	491	453	553
		L4	90	65	67	29	42
kg	Netweight	155	306	343			
		155	306	343			
For hoisting height: H2	mm	L1	1115	1225	1306	1330	1445
		L1*	1155	1295	1390	1420	1480
		L2	512	570	602	610	660
		L3	629	641	711	663	713
		L4	190	165	177	134	102
kg	Netweight	160	320	383	566	948	
		160	320	383	566	948	
For hoisting height: H3	mm	L1	1315	1425	1526	1540	1660
		L1*	1355	1495	1610	1630	1695
		L2	612	670	712	715	770
		L3	829	841	931	873	928
		L4	290	265	287	239	210
kg	Netweight	169	329	405	594	1024	
		169	329	405	594	1024	
Overall dimensions	mm	B	90-130		130+150		
		B3	34	40	45	50	56
		B5	580	650	800	930	
		B6	336	405	410		
		C2	142	200	232		
		e	50	35	38	55	
		D	φ120	φ175	φ210		
		R	1500	2500	3500		
		d1	φ15	φ17	φ21	φ25	
For hoisting height: H1	mm	L1	915	1025	1086	1120	1285
		L1*	955	1095	1170	1210	1320
		L2	412	470	492	505	580
		L3	429	441	491	453	553
		L4	90	65	67	29	42
kg	Netweight	155	306	343			
		155	306	343			
For hoisting height: H2	mm	L1	1115	1225	1306	1330	1445
		L1*	1155	1295	1390	1420	1480
		L2	512	570	602	610	660
		L3	629	641	711	663	713
		L4	190	165	177	134	102
kg	Netweight	160	320	383	566	948	
		160	320	383	566	948	
For hoisting height: H3	mm	L1	1315	1425	1526	1540	1660
		L1*	1355	1495	1610	1630	1695
		L2	612	670	712	715	770
		L3	829	841	931	873	928
		L4	290	265	287	239	210
kg	Netweight	169	329	405	594	1024	
		169					